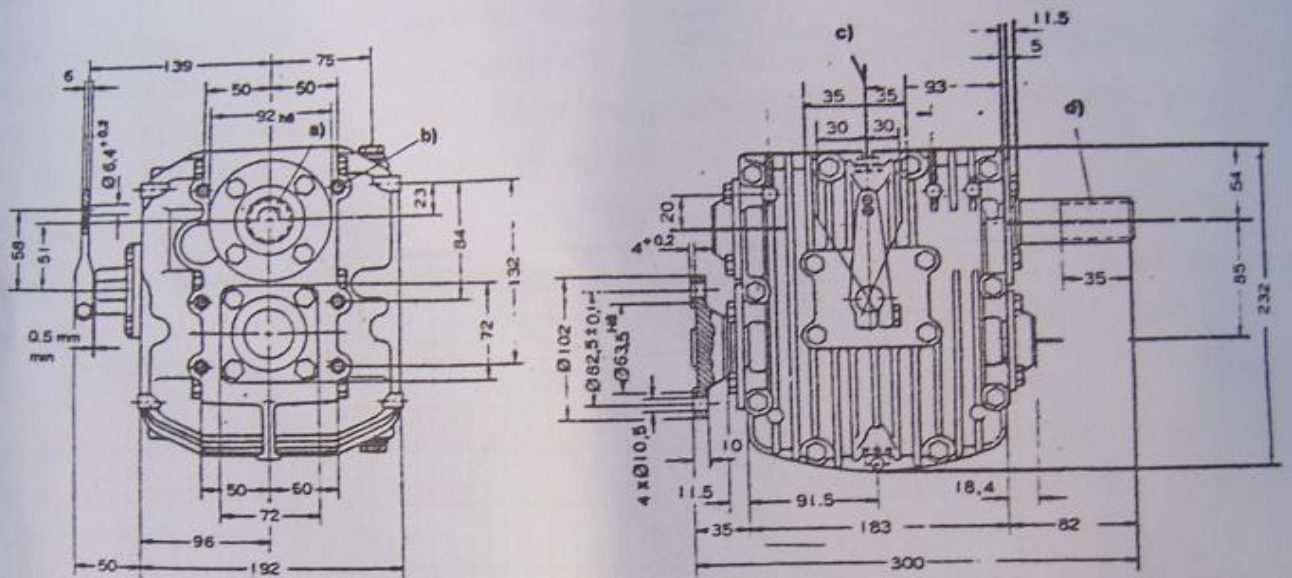


Model with mounting accessories

Dimensions



Model without mounting accessories

- a) Clockwise rotation
- b) Oil dipstick and filler screw
- c) M 15 / 17 deep holes same on both side
- d) Oil drain plug 17mm width across flats
- e) triangular spline $\phi 30 \times \phi 34$ DIN 54811 36 teeth, tooth angle 60° , flat Root
- f) Minimum lever travel

a /

8 / 6